

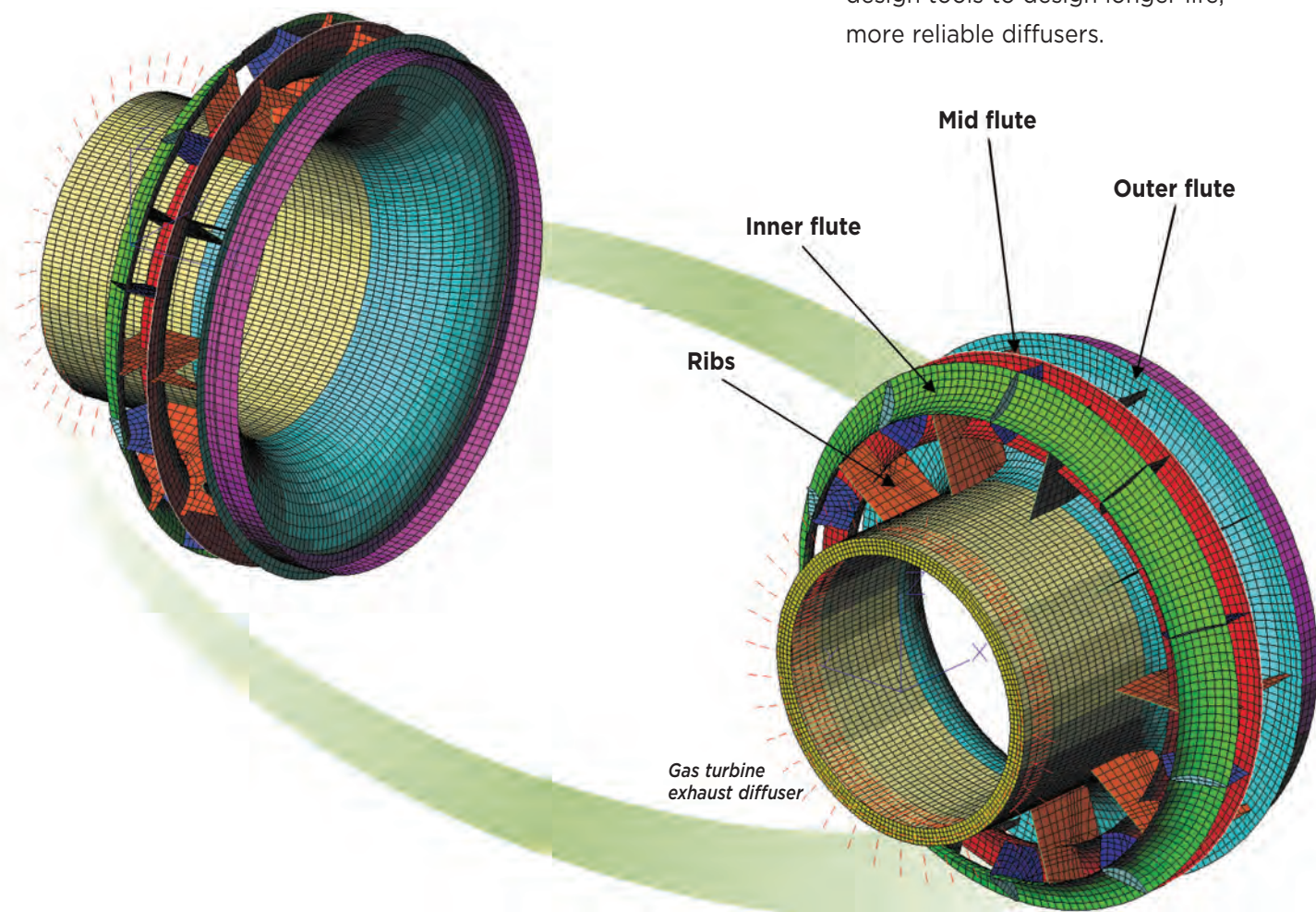
# Exhaust Diffuser Systems



*FS-5 exhaust diffuser*

With over 25 years of manufacturing experience, Consolidated Fabricators™ (ConFab) provides proven design and manufacturing processes and fixtures for new exhaust diffusers.

With ConFab, you do not need to settle for “as good as the OEM.” We regularly apply our accumulated knowledge, experience and the latest design tools to design longer life, more reliable diffusers.





*FS-7 exhaust diffuser.*



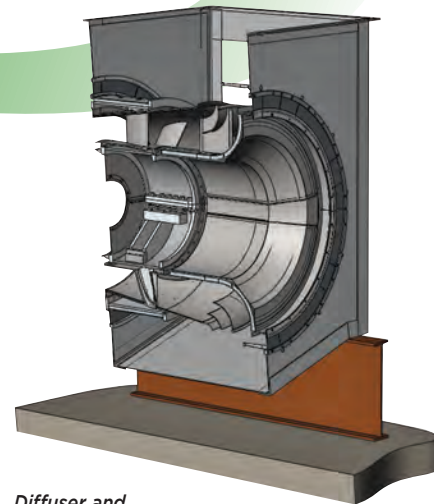
*Braden® plenum.*

*Let us combine a ConFab exhaust diffuser with a Braden plenum to create a complete system.*

## **Integrated Exhaust Systems... Guaranteed to Deliver Optimal Performance**

ConFab can provide a complete integrated system for gas turbine exhaust, designed and guaranteed to operate efficiently together. By combining a Braden® plenum with ConFab hardware and diffuser, we can assure a safer, more efficient and easier-to-operate system.

We offer the manpower, equipment, and experience to install on your site...or we can provide detailed erection drawings and procedures for your own crew.



*Diffuser and plenum assembly.*



AN INNOVA GLOBAL COMPANY

17 St. Mark Street  
Fairfax Industrial Park  
Auburn, MA 01501 USA

Tel: 508-797-8000  
Fax: 508-832-7369  
Email: [sales@consolidatedfabricators.com](mailto:sales@consolidatedfabricators.com)

[www.consolidatedfabricators.com](http://www.consolidatedfabricators.com)