

Combustion Parts for Power Generation



Seal fabricated and machined from 300 series stainless steel.

ConFab™ supplies a wide range of high temperature, corrosion-resistant combustion system parts for power generation, including seals, retainers, brackets, wirelocks and others.

We meet or exceed stringent customer expectations for tight tolerances on precision fabricated components requiring forming, welding, CNC machining and CMM inspection. Parts are fabricated from an extensive offering of alloys, including

- all grades of stainless steel
- Inconel® alloys
- Hastalloy® alloys
- Aluminum alloys
- Copper alloys.



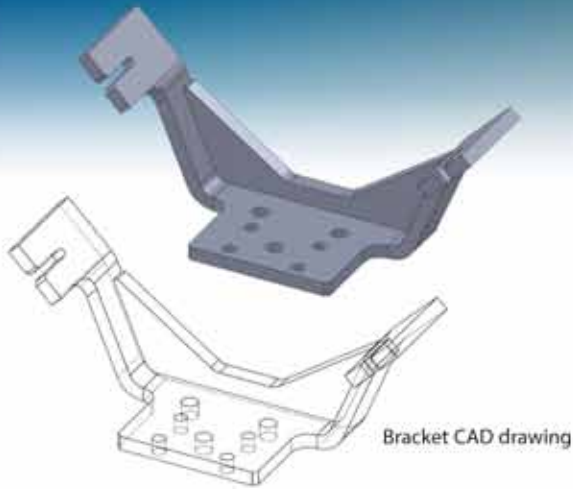
Bracket, fabricated and machined



Pipe spool



Precision retainer



Bracket CAD drawing



Seals

Research, Design and Prototyping Services

ConFab™ can help you with better parts! Bring your challenging situations to our engineers and we can research, diagnose and design an improved version of an existing combustion part. Capabilities to design and produce production tooling, along with soft tooling designs for prototyping and short runs can be accommodated within our Engineering and Manufacturing programs.



Retainers

Locking device



Lock plate



Collar



Tube

CONSOLIDATED FABRICATORS™ CONFAB

A DIVISION OF BRADEN MANUFACTURING LLC

17 St. Mark Street
Fairfax Industrial Park
Auburn, MA 01501 USA

Tel: 508-832-9686
Fax: 508-832-7369
Email: sales@consolidatedfabricators.com

www.consolidatedfabricators.com

Printed in U.S.A.